

ABSOLUTE MAXIMUM RATINGS ²

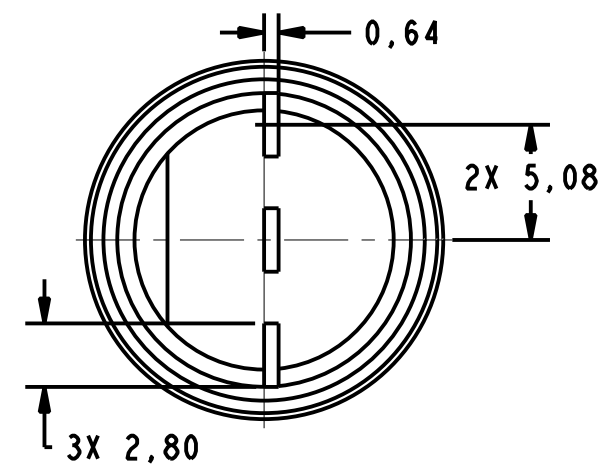
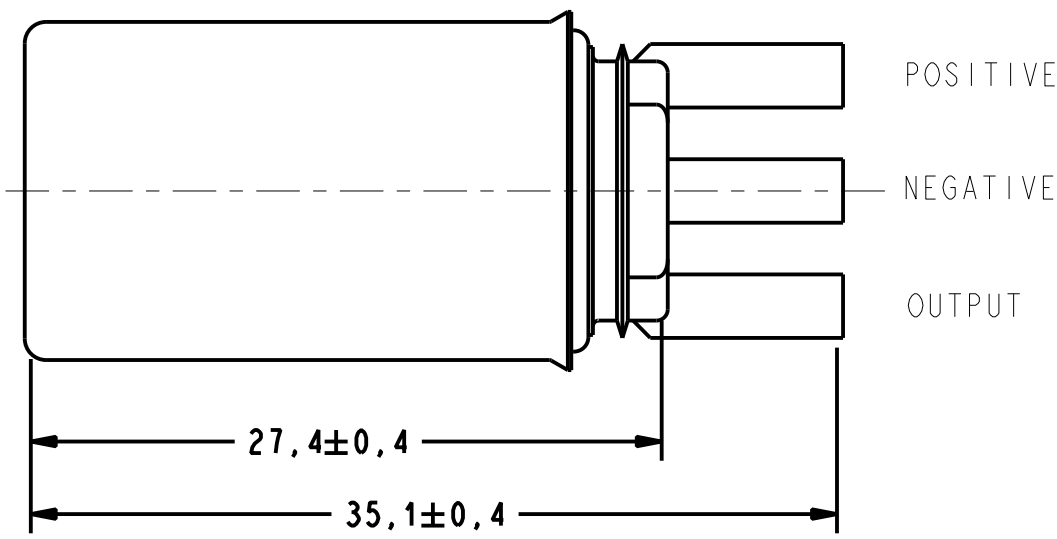
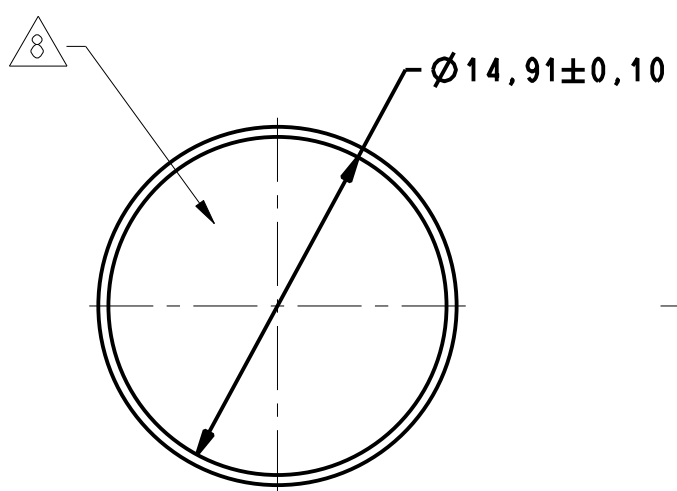
SUPPLY VOLTAGE	+30V CONTINUOUS
VOLTAGE EXTERNALLY APPLIED TO OUTPUT	-0.5 TO +30V (OUTPUT HIGH)
OUTPUT CURRENT	40 mA SINKING
TEMP	150°C

RECOMMENDED OPERATING CONDITIONS

PARAMETER	CONDITIONS	MIN	TYP	MAX	UNITS
OPERATING TEMPERATURE		-40		+150	°C
SUPPLY VOLTAGE		4.5		24	VDC
SUPPLY CURRENT			10	20	mA
OUTPUT VOLTAGE	LOW OUTPUT			.6	VDC
OUTPUT CURRENT	LOW OUTPUT			20	mA
OUTPUT LEAKAGE CURRENT	HIGH OUTPUT			10	µA
RISE TIME	10% TO 90%			15	µS
FALL TIME	90% TO 10%			1.0	µS

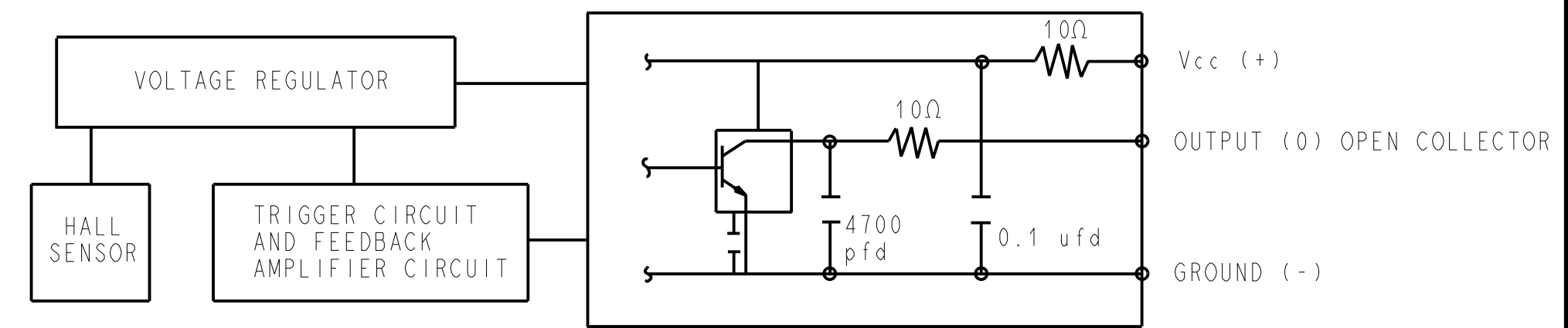
OPERATING SPECIFICATIONS ³⁴⁵⁶⁷

	LIMIT	CONDITIONS	UNITS
⁴ OPERATE	2.8° ± 1.5°	AIR GAP 0.13 - 2.03 V SUPPLY 4.5-24	mm VOLTS
⁵ RELEASE	3.0° ± 2.50°	TEMP -40 TO 150 RPM 10 TO 3600	DEG



NOTES

- ¹ TARGET SHOULD BE MADE OF C-1018 STEEL OR ENGINEERING APPROVED EQUIVALENT, ANNEAL AFTER MACHINING OR FORMING
- ² MAX LIMITS THAT SWITCH WILL WITHSTAND WITHOUT DAMAGE
- ³ OPERATING SPECIFICATION IS BASED ON TARGET SHOWN IN FIGURE 1 AND WILL VARY WITH TARGET GEOMETRY
- ⁴ OPERATE (DEGREES) IS THE ANGULAR DISTANCE FROM THE LEADING EDGE OF THE TOOTH TO THE CENTERLINE OF THE SENSOR
- ⁵ RELEASE (DEGREES) IS THE ANGULAR DISTANCE FROM THE TRAILING EDGE OF THE TOOTH TO THE CENTERLINE OF THE SENSOR
- ⁶ ELECTRICAL CHARACTERISTICS ARE GUARANTEED WITH MAX EXTERNAL LOAD CAPACITANCE < 550 pfd
- ⁷ AIR GAP IS THE DISTANCE FROM SENSOR FACE TO TARGET
- ⁸ CATALOG LISTING, DATE CODE AND SERIAL NUMBER LOCATED IN THIS AREA
- 9 - RELIABILITY AND EMI PERFORMANCE IS BASED ON TS 060 234
- 10 - FOR VALUE ADDED ASSEMBLY CONSIDERATIONS REFERENCE APPLICATION NOTE PK-80139



BLOCK DIAGRAM SHOWING CURRENT SINKING OUTPUT

1GP4001
 PAGE 1 OF 1
 RELEASE NO. DR-4887
 REPLACES X99110-GT
 ISSUE 11
 REVISIONS
 A COB3636
 12 SEP 96
 B COB3850
 3 JAN 97
 C COB4378
 4 APR 97
 D COB4610
 24 APR 97
 E COB4911
 8 AUG 97
 F 22827
 4 NOV 97
 G COB3464
 22 OCT 98
 H 95587
 2 FEB 00
 J 200453
 12 MAY 04
 PTC/CAD
 KAG 20MAR96
 JAFI 21MAR96
 CHECK
 12MAY04
 AK
 21MAR96
 CHECK
 20MAR96
 CHECK
 12MAY04

 MICROSWITCH a Honeywell Division	GEARTOOTH SENSOR	CATALOG LISTING 1GP4001	THIRD ANGLE PROJECTION SCALE 3:1 DO NOT SCALE PRINT UNLESS OTHERWISE SPECIFIED TOLERANCES ARE NO PLACE (0) ± 1 MM ONE PLACE (0,0) ± 0,4 MM TWO PLACE (0,00) ± 0,15 MM ANGLES ± WEIGHT
THIS DRAWING COVERS A PROPRIETARY ITEM AND IS THE PROPERTY OF MICRO SWITCH, A DIVISION OF HONEYWELL. THIS DRAWING IS NOT TO BE COPIED OR USED WITHOUT THE APPROVAL OF MICRO SWITCH.			
ANSI Y14.5M-1982 APPLIES			

